

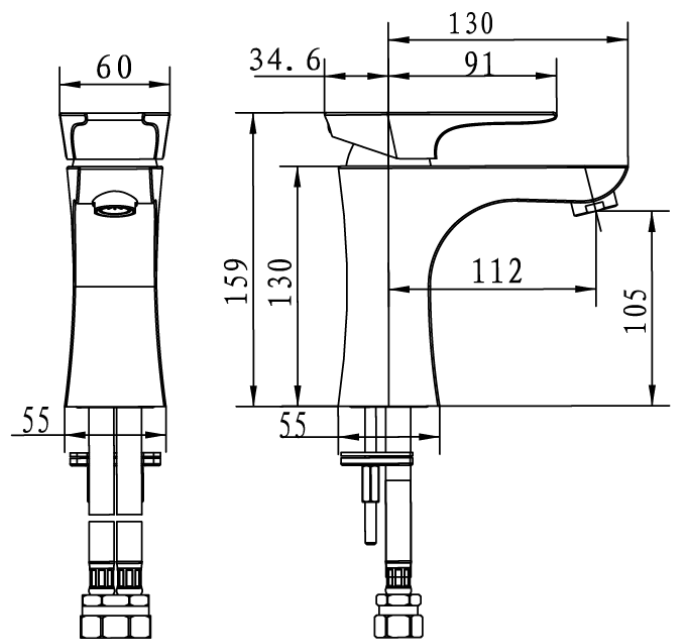
# TECHNICAL DATA SHEET

# BRISTAN

## Hourglass Extension Tap Range 1 Hole Bath Filler

### Product Specification

Product Code:	HOU 1HBF C
Valve/Cartridge:	35 mm CD Mixer Cartridge
System:	Nominally equal (balanced) inlet supply pressures are recommended for optimum performance of mixer taps
Inlet type:	M12 X 300 mm Flexi Tail
Max Pressure:	10 bar static
Operating Pressure Range:	1.0 – 5.0 bar



### Additional Information

- Chrome plated to BS EN 248:2002

**Technical Advice:** For further information please call 0844 7016273 or email [customer care@bristan.com](mailto:customer care@bristan.com)

**Guarantee:** 5 years covering manufacturing faults.

### Compliance / Approvals

**WRAS:** Manufactured to comply with WRAS

### Flow Rates (litres per minute)

Pressure	0.2	0.5	1.0	3.0	5.0
HOU 1HBF C (Outlet)	6.4	9.9	14	25.1	32.4

Bristan, Birch Coppice Business Park, Dordon, Tamworth, B78 1SG  
Telephone: 0844 701 6274 Facsimile: 0844 701 6275  
Web Site: [www.bristan.com](http://www.bristan.com) Email: [enquire@bristan.com](mailto:enquire@bristan.com)



The information contained on this page was correct at date of issue. Fitting dimensions are provided as a guide only. Some variation may occur due to manufacturing tolerances. Bristan pursues a policy of continuing improvement in design and performance of its products and so reserves the right to change specifications without prior notice.